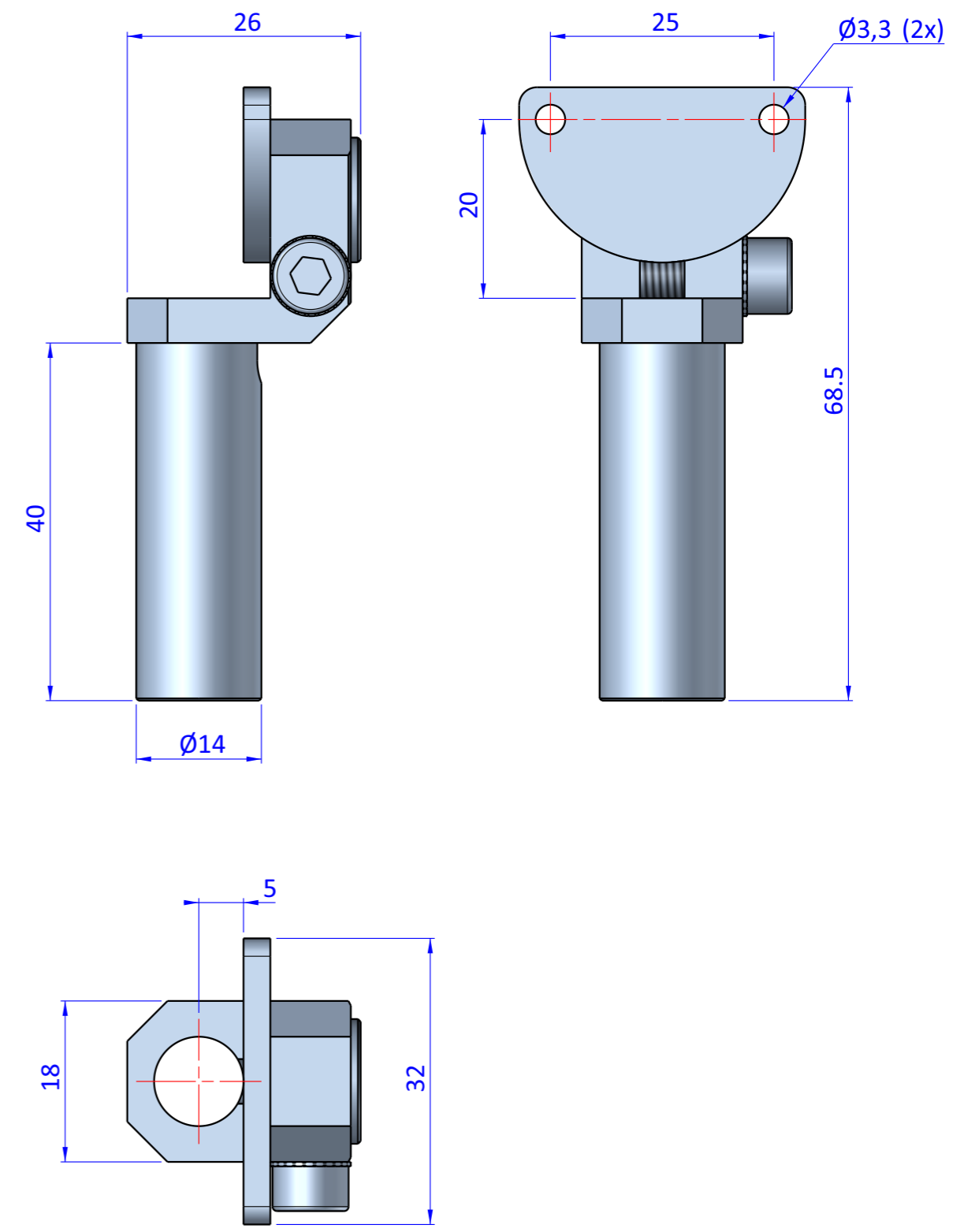
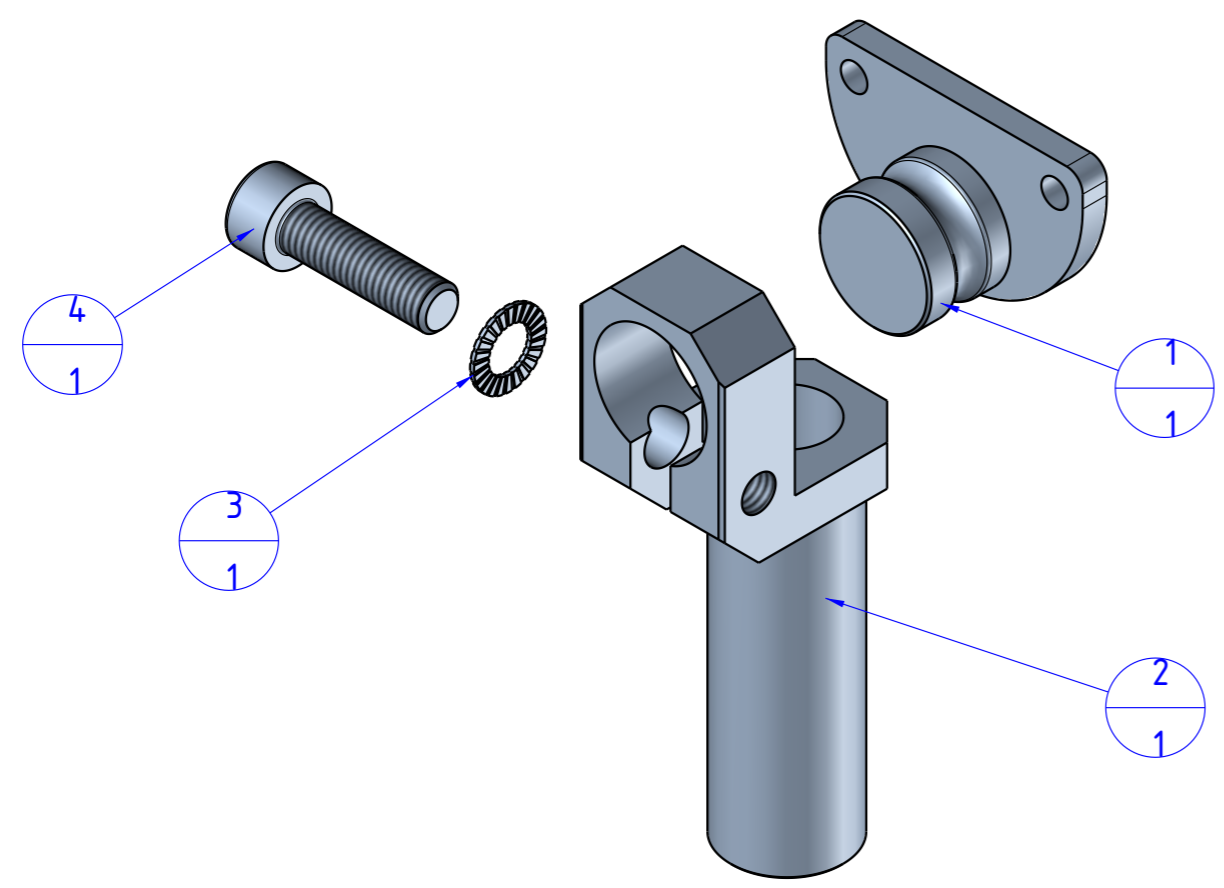



THE PROPERTY OF THE DRAWING IS ESTABLISHED BY LAW. IT IS FORBIDDEN TO PRODUCE OR SHOW IT TO THIRD PART. WITHOUT A WRITTEN AGREEMENT.

| Item | Name | Q.ty |
|------|-------------|------|
| 1 | ATK.10.14.3 | 1 |
| 2 | GGB.14.40 | 1 |
| 3 | R.5.SCH | 1 |
| 4 | V.TCE5x18 | 1 |



Format A3
UNI 936-76

| | | | | |
|--|--------------------------------|---------------------------------|-------------------|-------------|
|  FPS SERVICES AUTOMATION | | DESIGNED FROM FPS Automation | | REVIEW A |
| | | DATE 06/08/2020 | WEIGHT 0,028kg | |
| GENERAL TOLERANCE UNI - ISO 2768 CLASSE f | DESCRIPTION CA.ATK.10.14.40 | CODE CA.ATK.10.14.40 | | |